



STATEC BINDER

highly efficient bagging and palletizing solutions

system-F

Vertical Form-Fill-Seal packaging machine



up to

900

bags per hour



- ✓ Fully automatic packaging machine
- ✓ Pillow bags and/or gusseted bags
- ✓ Contact parts in stainless steel
- ✓ Reliable and proven concept
- ✓ Sturdy and compact design
- ✓ 5 - 50 kg filling weight
- ✓ High flexibility
- ✓ CE certified



The continuous development of structural components, tested over many years, combined with the most up-to-date technology is the strength of the System-F machine. The user enjoys maximum flexibility due to the integration of the most modern electronic devices with high-precision mechanical components.

Specific market conditions typically require different package sizes. Due to a changeable formatting set, the System-F machine is able to meet these requirements. A rotating magazine, which is

installed immediately adjacent to the machine, can hold several different sizes of formatting sets. This allows quick and easy changing of the formatting set by a single operator without the use of any tools. It thus takes only a few minutes to change production or format.

Soft-running ball bearings support the roll of film as the friction drive unrolls film from the reel. The splicing device immediately following the roll of film not only enables the film to be changed, but also minimizes the time required to change rolls.

The film is pulled over a forming shoulder coated with a low-friction surface material and formed into a tube. One continuously heated sealing bar makes the vertical overlapping seal. Accurate temperature and pressure control ensure uniform seal quality.

A built-in knife separates a package already filled from the tube. Two electronically-controlled, continuously heated sealing bars seal the finished package and at the same time form the bottom seal for the next package. Intensive air-cooling permits the shortest possible cycle times.

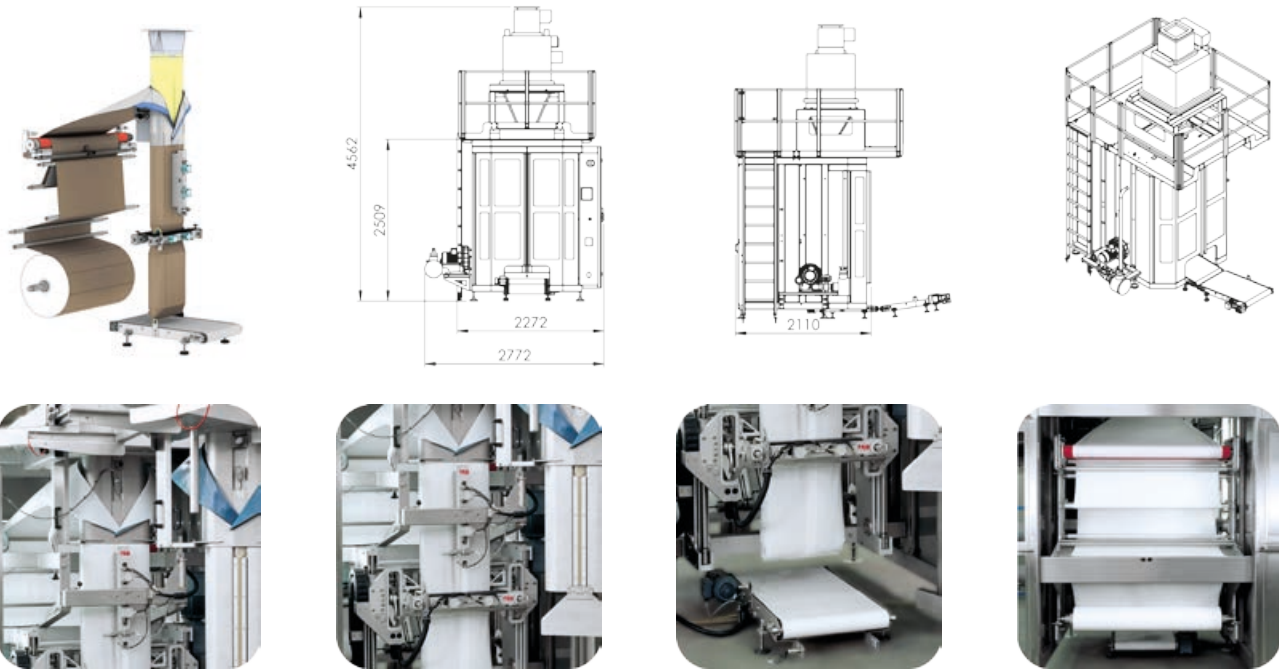


STATEC BINDER

highly efficient bagging and palletizing solutions

system-F

Vertical Form-Fill-Seal packaging machine



system-F	Performance	Film thickness
50 kg:	up to 450 bags/hour*	140 - 200 µm
25 kg:	up to 650 bags/hour*	120 - 160 µm
20 kg:	up to 700 bags/hour*	100 - 160 µm
10 kg:	up to 850 bags/hour*	60 - 120 µm
5 kg:	up to 900 bags/hour*	60 - 100 µm
Bag type:	pillow bag and gusseted bag	
Bag option:	carrying handle, vacuum unit, nitrogen fumigation	
Film material:	thermoplastics and compound materials	
Max. film width:	1280 mm	
Film roll diameter:	600 mm	
Core diameter:	76 mm	
Filling weight:	5 - 50 kg or 4 - 80 l	
Air pressure:	6 bar, constant, dry and oil free	
Air consumption:	-80 Nm ³ /h	
Power supply:	3 x 380 - 480 VAC, 50/60 Hz	
Power consumption:	-6,5 kW	

* depending on product flow ability and filling weight